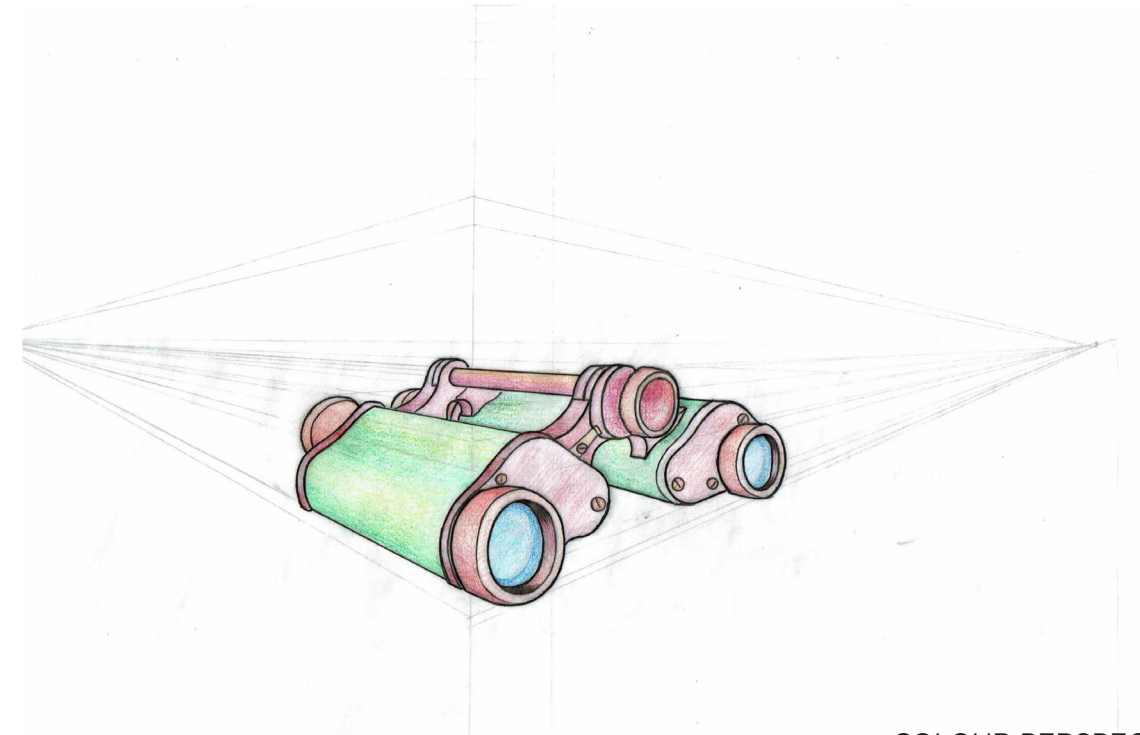
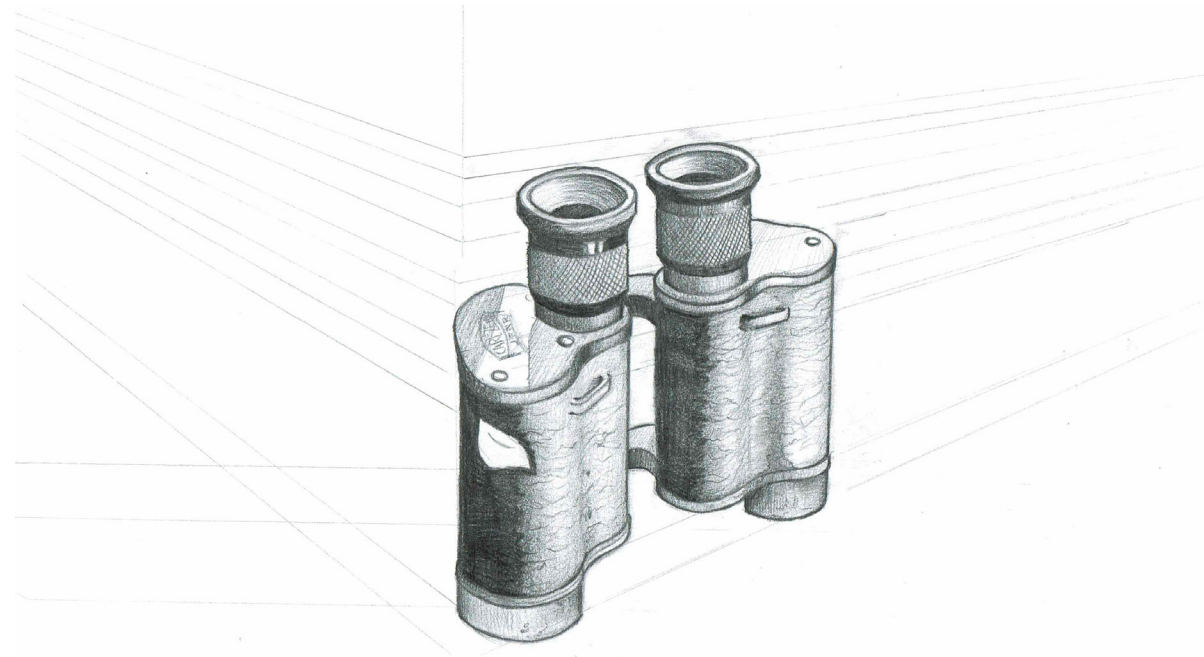


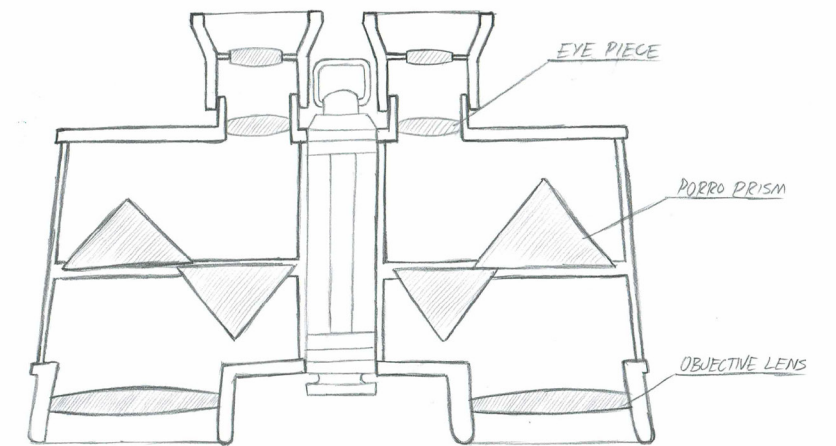
PERSPECTIVE 1



COLOUR PERSPECTIVE



PERSPECTIVE 2



SECTION STUDY